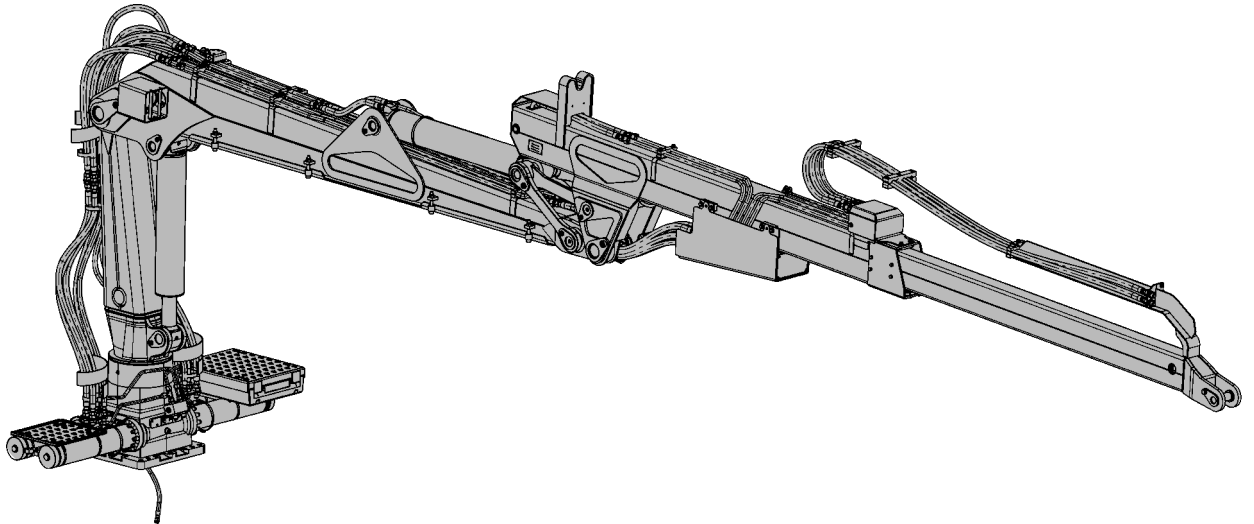




WARATAH

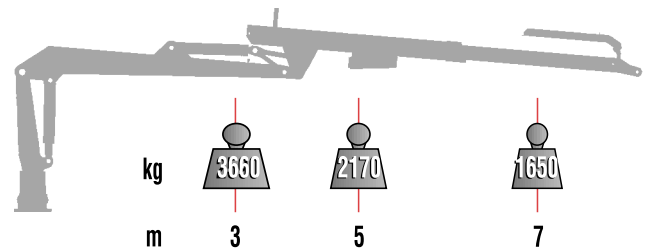
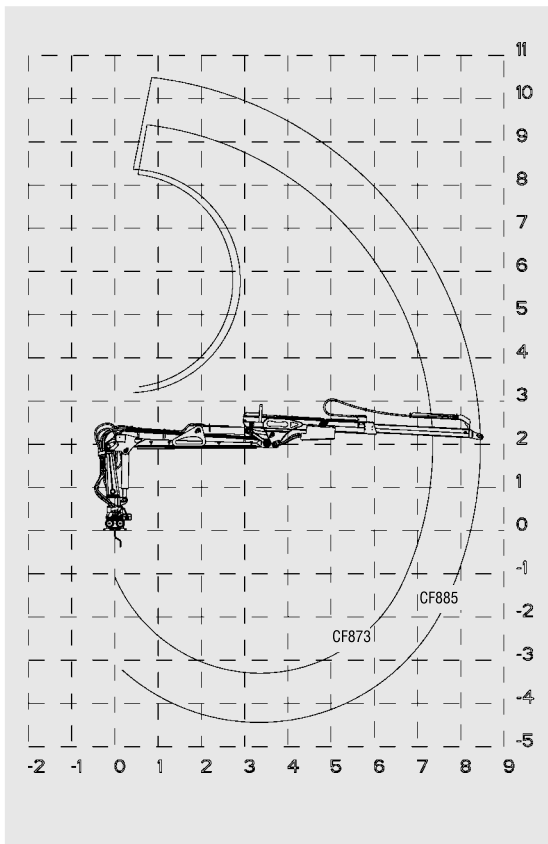
CF8

FORWARDER CRANE

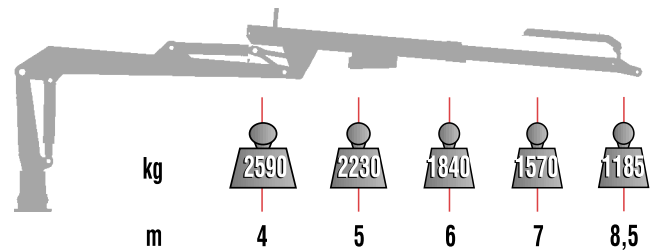


OUTREACH DIAGRAM:

CAPACITY DIAGRAM (allowable loads):



CF873

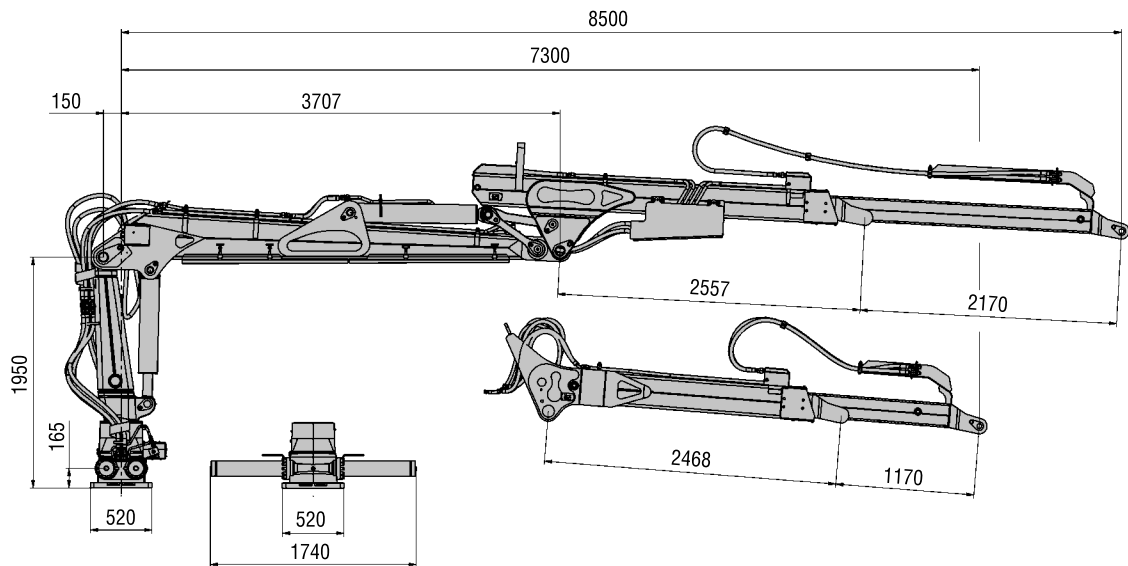


CF885

TECHNICAL DATA:

		CF873	CF885
Lifting moment, gross	kNm	151	151
Max. load	kg	1650	1185
Outreach	mm	7300	8500
Stroke of boom extension	mm	1200	2170
Slewing torque, gross	kNm	41	41
Slewing angle	°	380	380
Weight (without oil, link and grapple)	kg	2010	2150
Pump recommendation			
Max. working pressure	MPa	24	24
Oil flow	l/min	80-100	80-100
Power input	kW	32-40	32-40

MAIN DIMENSIONS:



8/06

We reserve the right to amend these specifications at any time without notice. The only warranty provided by Waratah Forestry Attachments is its written Limited Warranty, which accompanies and applies to each product sold by Waratah Forestry Attachments. Waratah disclaims responsibility or liability for any economic loss or personal injury that may occur as a result of any changes to a Waratah product that have not been approved by Waratah

as a result of the non-approved inclusion on any Waratah product of any equipment not of Waratah's design or manufacture. Not all products are available in all markets. The manufacturer reserves the right to make changes or add improvements at any time without incurring any obligation to make such changes on machines manufactured previously.