



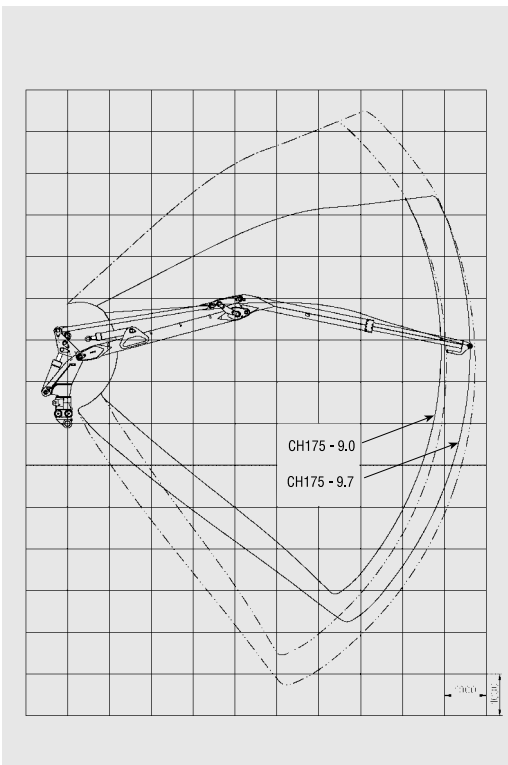
WARATAH

CH175

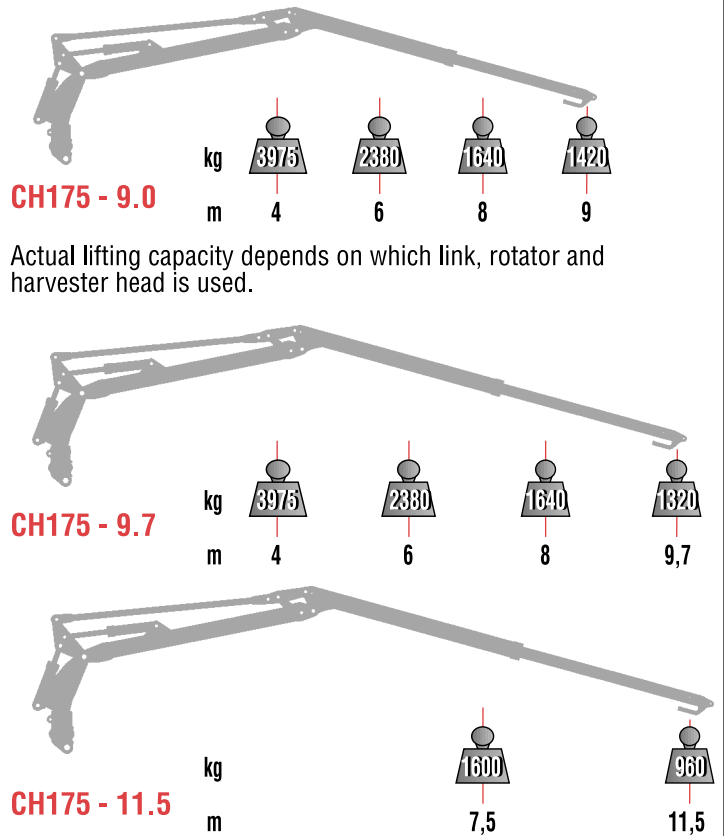
HARVESTER CRANE



OUTREACH DIAGRAM:



CAPACITY DIAGRAM (allowed loads):

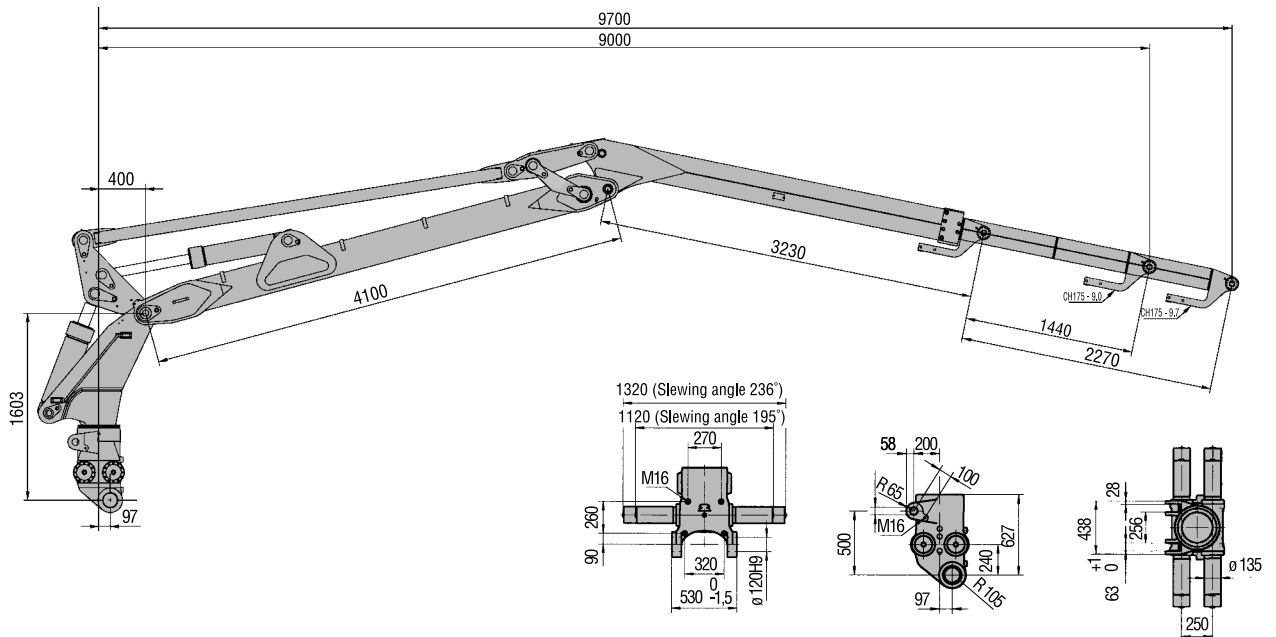


TECHNICAL DATA:

		CH175 - 9.0	CH175 - 9.7	Optional CH175 - 11.5
Lifting moment, gross	kNm	178	178	178
Max. load	kg	1424	1316	956
Outreach *)	mm	9300	10 000	11 800
Stroke of boom extension	mm	1440	2170	3990
Slewing torque, gross	kNm	43,6	43,6	43,6
Slewing angle	°	195/236	195/236	195/236
Weight without oil, incl. hoses for harvester head	kg	2570	2580	2680
Pump recommendation				
Max. working pressure	MPa	24	24	24
Oil flow	l/min	120	120	120
Power input	kW	50	50	50

*) Outreach is with the Waratah harvester head.
Actual length of the crane is 300 mm shorter.

MAIN DIMENSIONS:



8/06

We reserve the right to amend these specifications at any time without notice. The only warranty provided by Waratah Forestry Attachments is its written Limited Warranty, which accompanies and applies to each product sold by Waratah Forestry Attachments. Waratah disclaims responsibility or liability for any economic loss or personal injury that may occur as a result of any changes to a Waratah product that have not been approved by Waratah

as a result of the non-approved inclusion on any Waratah product of any equipment not of Waratah's design or manufacture. Not all products are available in all markets. The manufacturer reserves the right to make changes or add improvements at any time without incurring any obligation to make such changes on machines manufactured previously.